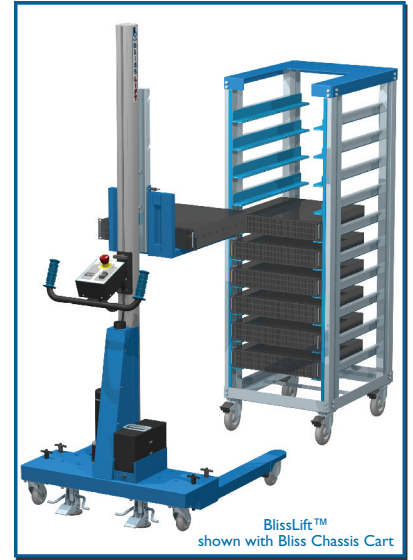
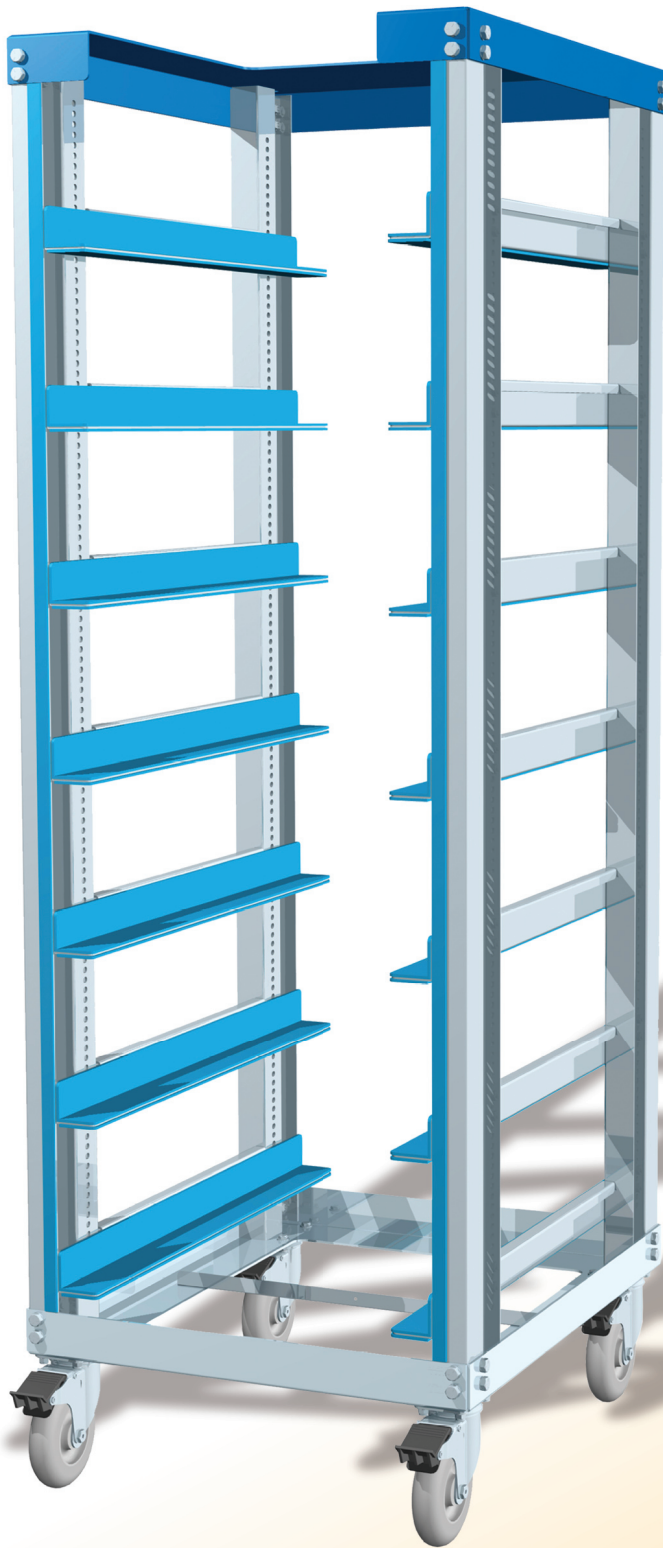


CHASSIS CART

IDEAL FOR CHASSIS BOX BUILD, PRODUCTION, TEST, R&D AND QC.

SMART HANDLING SOLUTIONS



BlissLift™
shown with Bliss Chassis Cart



BLISS

INDUSTRIES, INC.

408-945-8401

www.blissindustries.com

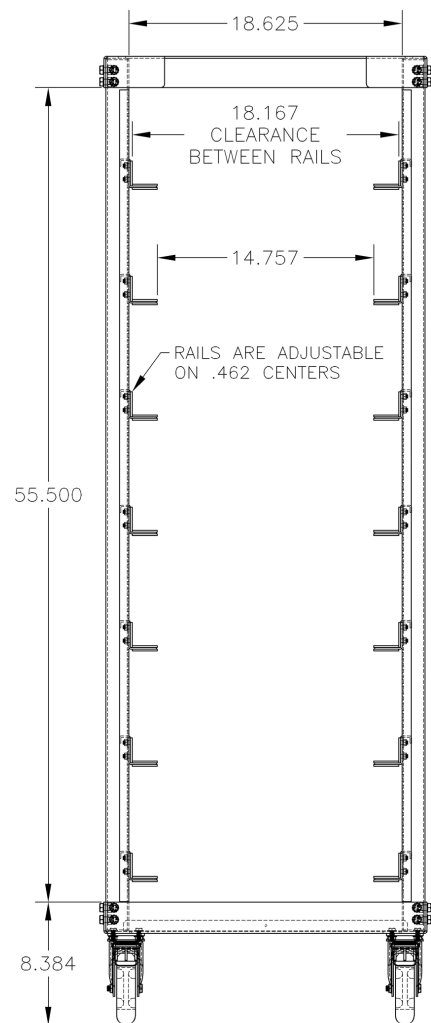
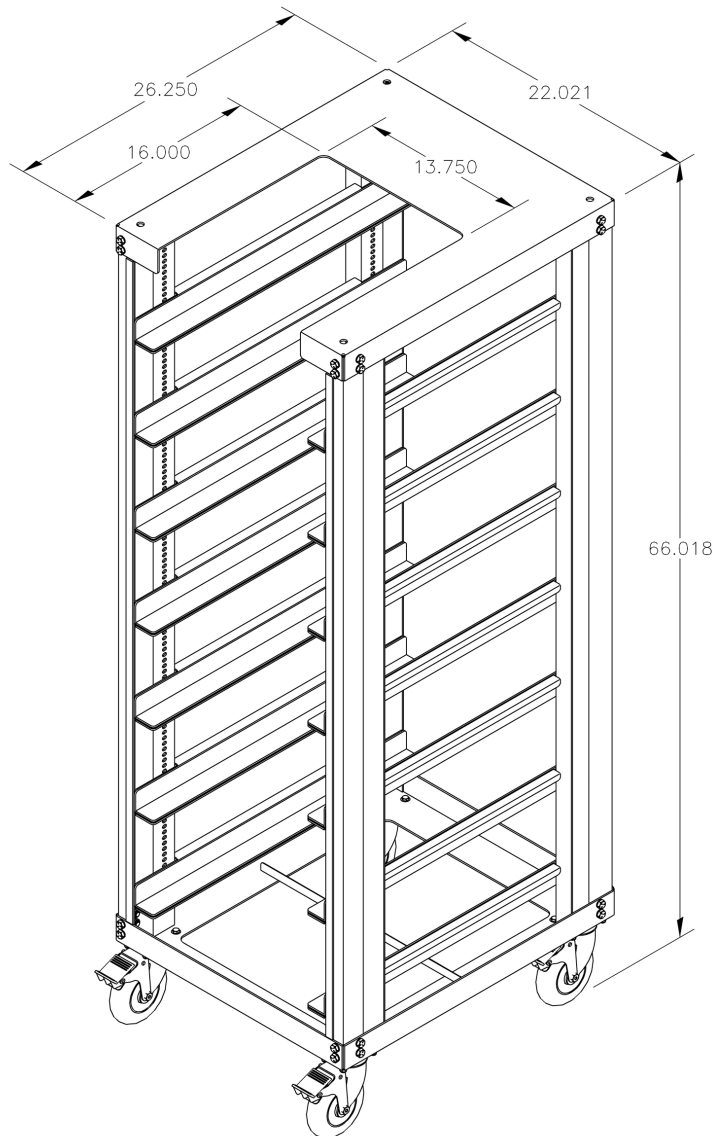
CHASSIS CART

DESIGNED FOR THE TRANSPORT AND STORAGE OF DELICATE CHASSIS AND ASSEMBLIES

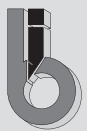
FEATURES

- ESD Safe.
- Protects and simplifies handling of chassis. Eliminates physical and cosmetic damage to high value products.
- Supports overhead vacuum lift systems.
- Tough steel construction with zinc plated finish.
- Perfect for box build, system build, final assembly, R&D, test and quality departments.

- Easy-to-roll shock absorbing casters eliminate harmonic vibrations which could dislodge components. Also available with adjustable, load-leveling feet.
 - Ideal for use with the new BlissLift™. Protect employees from injury and enhance productivity.
- Custom sizes and features available
See all the options and accessories online
www.blissindustries.com



A Step Towards Lean Manufacturing
Complete details and catalog online



BLISS
INDUSTRIES, INC.

386 Railroad Ct.
Milpitas, CA 95035

Phone: 408-945-8401 • Fax: 408-945-1914
sales@blissindustries.com • www.blissindustries.com

New Bliss ESD Safe Chassis Cart protects your high value products. The Bliss chassis cart covers all your handling and storage needs for chassis, test fixtures and delicate assemblies. Available in a variety of sizes. Bliss can configure your cart to your exact dimensional and load requirements. Perfect for assembly lines, inventory storage, test and quality departments.