

VERTICAL PC BOARD CARTS

ESD SAFE PC BOARD HANDLING AND STORAGE

SMART HANDLING SOLUTIONS



A.



B.



C.

VERTICAL PC BOARD CART

PERFECT FOR Q.C., TEST LABS, R&D AND LEAN MANUFACTURING

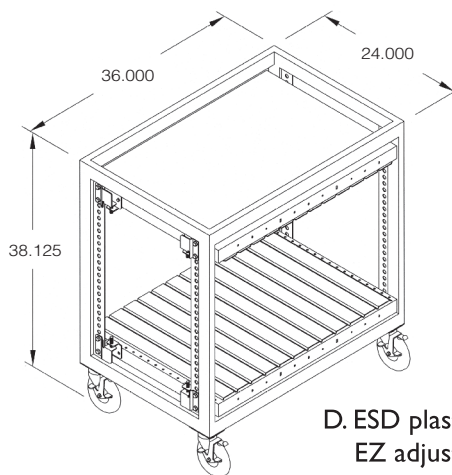
FEATURES

- Infinite adjustability
- Prevents damage from mishandling and ESD
- Drag chain for ESD protection
- Configuration flexibility
- Ideal for double sided PC boards
- Shock absorbing casters prevent harmonic vibrations which dislodge components

Custom sizes and features available

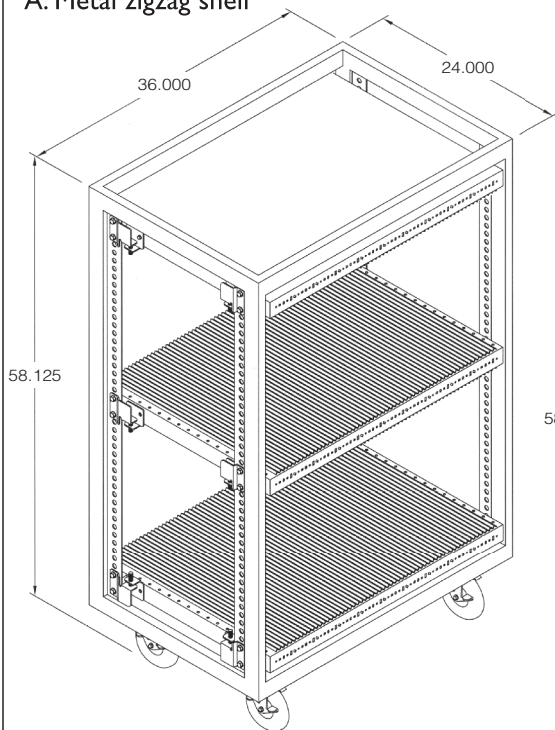
See all the options and accessories online

www.blissindustries.com

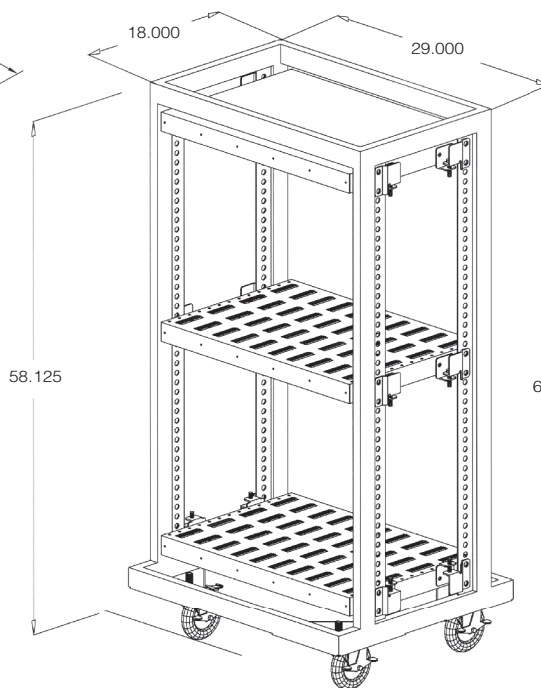


D. ESD plastic guides with EZ adjustable shelves

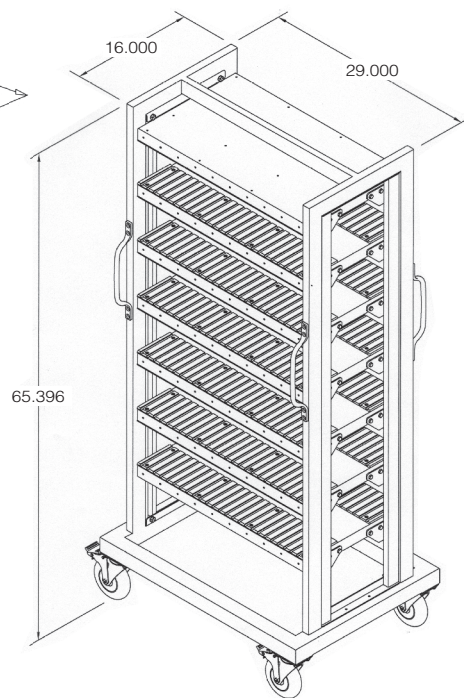
A. Metal zigzag shelf



B. Slotted card guide shelf



C. ESD plastic guides with EZ adjustable shelves



Bliss Vertical PC Board carts are designed to store and transport PC boards and back planes. PC Boards can be removed from the production line and placed in the cart for complete physical and ESD protection. The carts can store or transport PC boards to and from board loaders, reflow ovens, manual board stuffing stations and wave solder machines. Perfect for test and Q.C. labs.

A Step Towards Lean Manufacturing

Complete details and catalog online



BLISS
INDUSTRIES, INC.

386 Railroad Ct.
Milpitas, CA 95035

Phone: 408-945-8401 • Fax: 408-945-1914
sales@blissindustries.com • www.blissindustries.com

The flexibility and versatility of the vertical PC board cart is truly amazing. The shelves are offered in ZIGZAG, SPACED ZIGZAG, CARD GUIDE and with ESD plastic slots. Shelves can be easily built to your horizontal spacing specifications. Allows for infinite adjustability to accommodate your ever-changing production needs. The only adjustable design on the market today that cannot shake loose and allow PC boards to fall out.